

Coaxial Surge Protector CNP and CXP Series

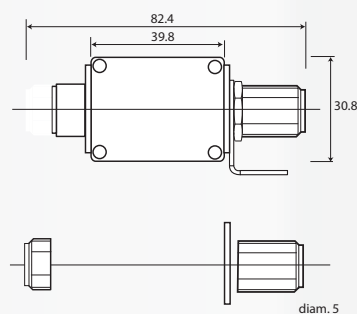


- Low Frequency Coaxial Surge Protector
- High Energy GDT Technology
- Bi-Directional Protection
- IP20 or IP65 Classification
- RoHS 6 Compliant
- Waterproof Design
- Bi-directional

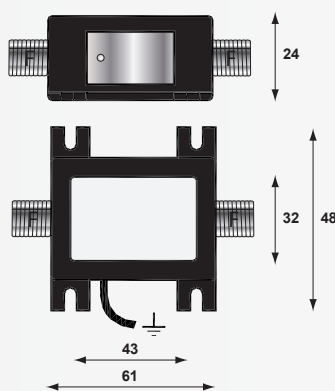
Dimensions and Electrical Diagrams

(in mm)

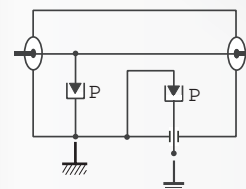
CXP09-NW/FF-DCB



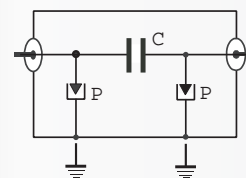
CNP



CNP
CXP



CXP-DCB



Characteristics

CITEL PART NUMBER	CNP90TV	CNP230TV	CXP	CXP-DCB
Frequency Range	DC-1GHz	DC-1GHz	DC-1GHz	125 - 1000MHz
Technology	Gas Discharge Tube	Gas Discharge Tube	Gas Discharge Tube	Gas Discharge Tube and Filter - DC Block
Insertion Loss	≤ 0.6 dB	≤ 0.6 dB	≤ 0.5 dB	≤ 1 dB
Return Loss	> 20 dB	> 20 dB	> 18 dB	> 20 dB
VSWR	< 1.35:1	< 1.35:1	< 1.3:1	< 1.3:1
Max. Discharge Current at 8/20 μs	20 kA	20 kA	20 kA	20 kA
Maximum Power	25 W	190 W	25 and 190 W	25 and 190 W
Maximum Current	0.5 A	0.5 A	0.5 A	N/A
Impedance	75 ohms	75 ohms	50 ohms	50 ohms
Mechanical characteristics				
Connectors	BNC, F, TNC, TV (SE)	BNC, F, TNC, TV (SE)	N	N
Grounding	Ground wire		Mounting Flange	
Environmental Rating	IP20		IP65	
Operating Temperature	-40°C to +85°C			
Operating Altitude	4,000 m			
Relative Humidity	Up to 5 to 95% non-condensing, up to 100%			